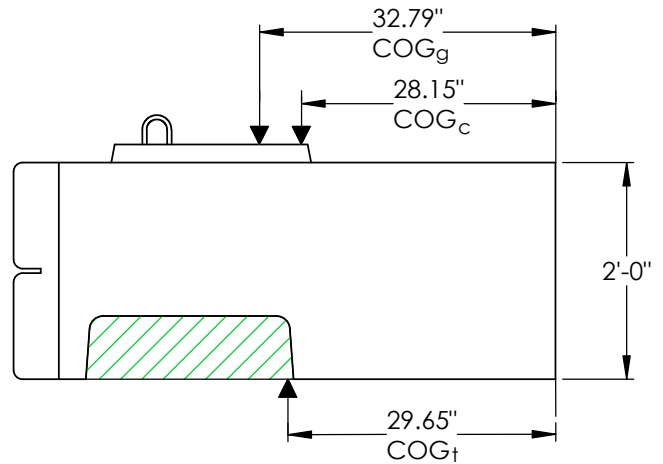
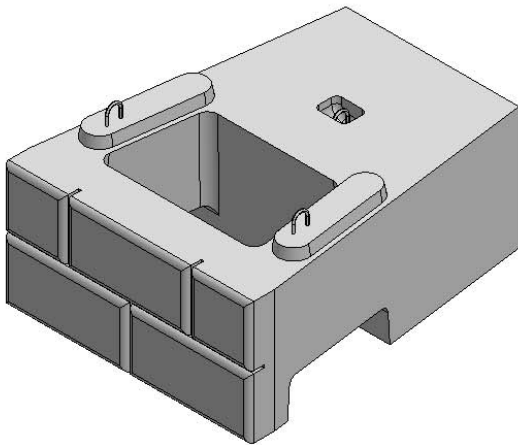
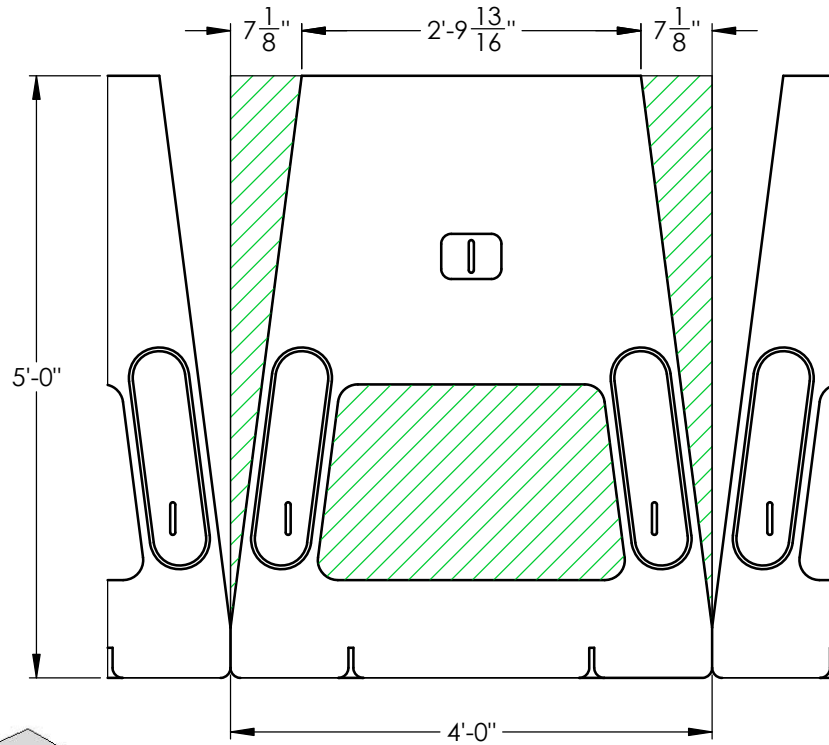


# 60" MASS EXTENDER BLOCK & GRAVEL INFILL



## CONCRETE BLOCK DATA

DESIGN UNIT WEIGHT ( $\gamma_c$ ) = 142 pcf  
 VOLUME ( $V_c$ ) = 24.71 cft  
 BLOCK WEIGHT ( $W_c$ ) = 3,509 lbs  
 CENTER OF GRAVITY ( $COG_c$ ) = 28.15" (SEE NOTES)

## GRAVEL INFILL DATA

DESIGN UNIT WEIGHT ( $\gamma_g$ ) = 110 pcf  
 VOLUME ( $V_g$ ) = 15.29 cft  
 GRAVEL INFILL WEIGHT ( $W_g$ ) = 1,682 lbs  
 CENTER OF GRAVITY ( $COG_g$ ) = 32.79" (SEE NOTES)

## COMBINED UNIT DATA

DESIGN UNIT WEIGHT ( $\gamma_t$ ) = (3,509 lbs + 1,682 lbs) / 40 cft = 130 pcf  
 VOLUME ( $V_t$ ) = 24.71 cft + 15.29 cft = 40.00 cft  
 TOTAL UNIT WEIGHT ( $W_t$ ) = 5,191 lbs  
 CENTER OF GRAVITY ( $COG_t$ ) = 29.65" (SEE NOTES)

## NOTES:

- VOLUME, WEIGHT AND COG CALCULATIONS WERE DONE USING CAD SOFTWARE.
- COG MEASUREMENTS ARE FROM BACK OF BLOCK



DRAWN BY  
DAN BALLING

DATE  
11/25/2013

TITLE:

60" MASS EXTENDER

DWG NO.

BD-07

16500 SOUTH 500 WEST  
BLUFFDALE, UTAH 84065  
PHONE: (801) 571-2028

SCALE: 1: 20

SHEET 1 OF 1