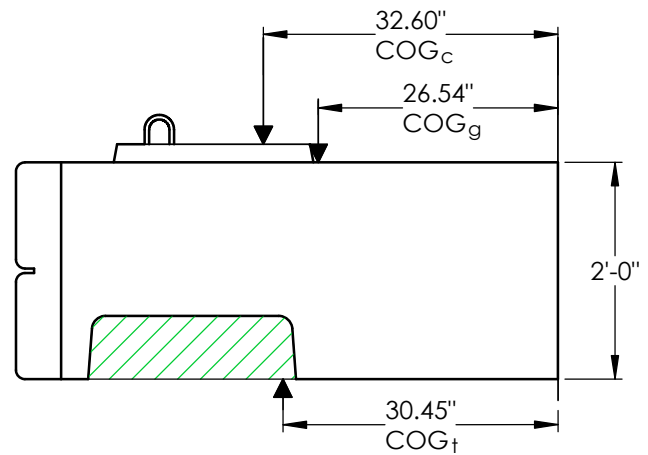
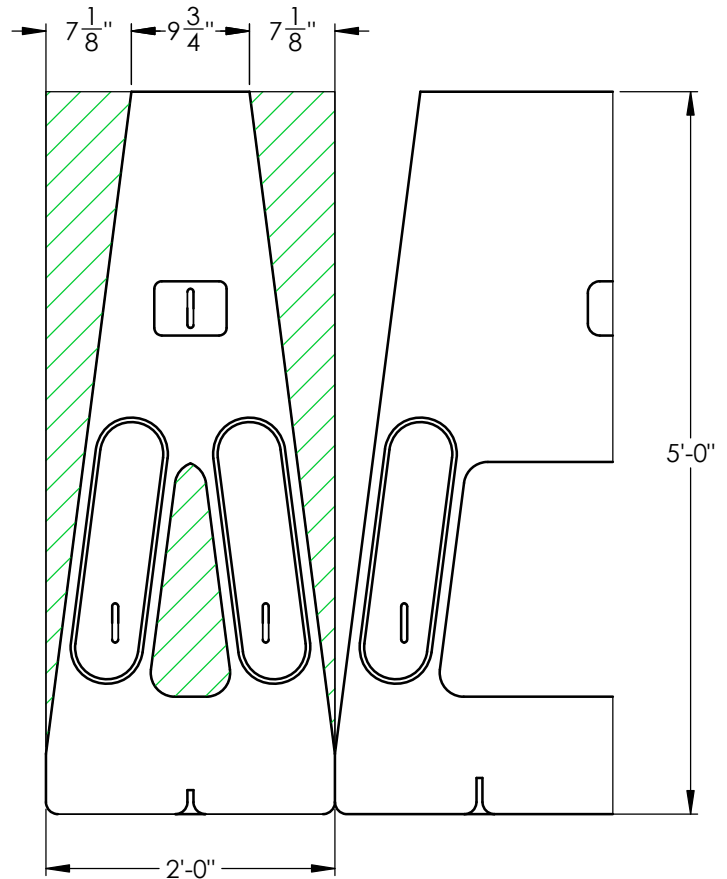
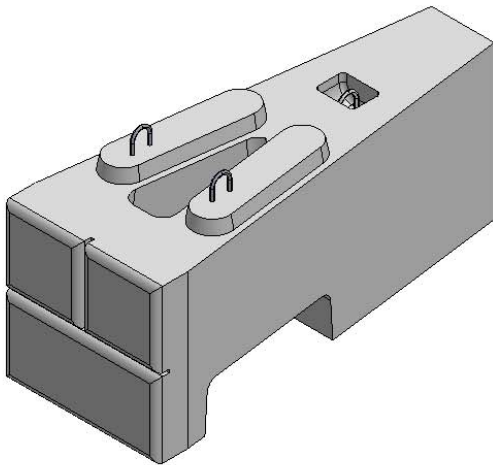


60" HALF BLOCK MASS EXTENDER & GRAVEL INFILL



CONCRETE BLOCK DATA

DESIGN UNIT WEIGHT (γ_c) = 142 pcf
 VOLUME (V_c) = 11.70 cft
 BLOCK WEIGHT (W_c) = 1,661 lbs
 CENTER OF GRAVITY (COG_c) = 32.60" (SEE NOTES)

GRAVEL INFILL DATA

DESIGN UNIT WEIGHT (γ_g) = 110 pcf
 VOLUME (V_g) = 8.30 cft
 GRAVEL INFILL WEIGHT (W_g) = 913 lbs
 CENTER OF GRAVITY (COG_g) = 26.54" (SEE NOTES)

COMBINED UNIT DATA

DESIGN UNIT WEIGHT (γ_t) = (1,661 lbs + 913 lbs) / 20 cft = 129 pcf
 VOLUME (V_t) = 11.70 cft + 8.30 cft = 20.00 cft
 TOTAL UNIT WEIGHT (W_t) = 2,574 lbs
 CENTER OF GRAVITY (COG_t) = 30.45" (SEE NOTES)

NOTES:

- VOLUME, WEIGHT AND COG CALCULATIONS WERE DONE USING CAD SOFTWARE.
- COG MEASUREMENTS ARE FROM BACK OF BLOCK



DRAWN BY
DAN BALLING

DATE
11/25/2013

TITLE:
60" HALF MASS EXTENDER

16500 SOUTH 500 WEST
BLUFFDALE, UTAH 84065
PHONE: (801) 571-2028

DWG NO.
BD-09

SCALE: 1: 20

SHEET 1 OF 1