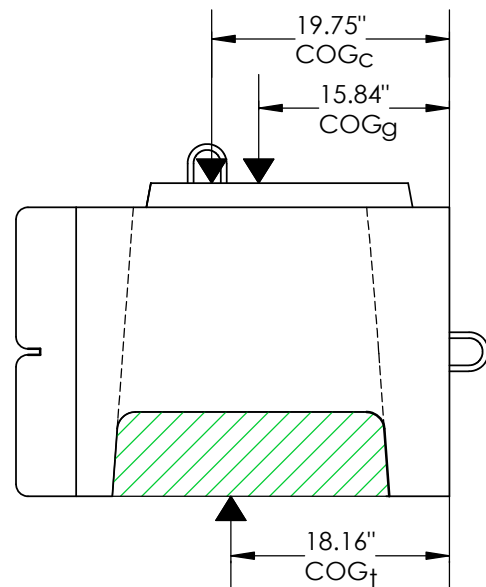
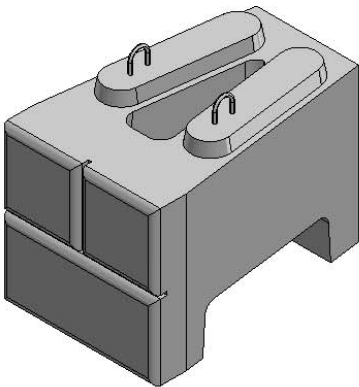
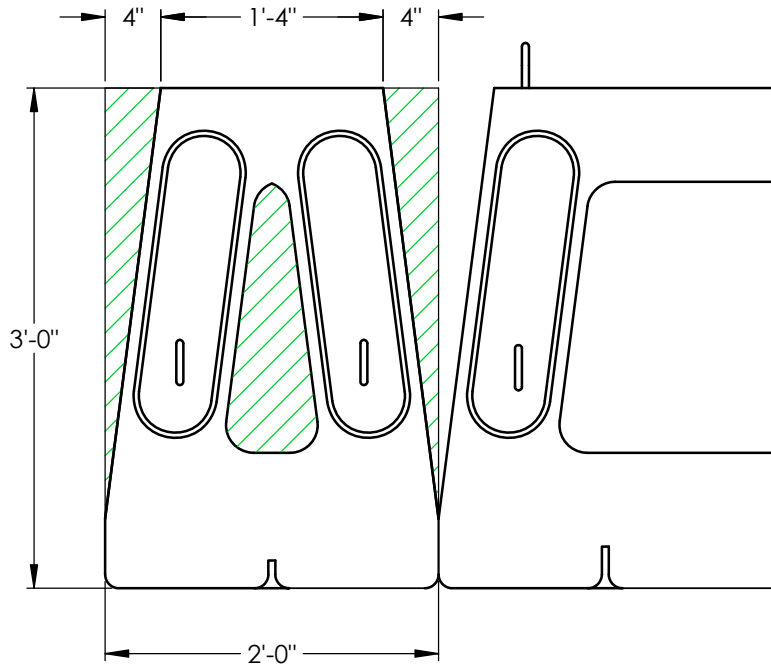


# 36" HALF BLOCK & GRAVEL INFILL



## CONCRETE BLOCK DATA

DESIGN UNIT WEIGHT ( $\gamma_c$ ) = 142 pcf  
 VOLUME ( $V_c$ ) = 7.52 cft  
 BLOCK WEIGHT ( $W_c$ ) = 1,068 lbs  
 CENTER OF GRAVITY ( $COG_c$ ) = 19.75" (SEE NOTES)

## GRAVEL INFILL DATA

DESIGN UNIT WEIGHT ( $\gamma_g$ ) = 110 pcf  
 VOLUME ( $V_g$ ) = 4.48 cft  
 GRAVEL INFILL WEIGHT ( $W_g$ ) = 493 lbs  
 CENTER OF GRAVITY ( $COG_g$ ) = 15.84" (SEE NOTES)

## NOTES:

- VOLUME, WEIGHT AND COG CALCULATIONS WERE DONE USING CAD SOFTWARE.
- COG MEASUREMENTS ARE FROM BACK OF BLOCK

## COMBINED UNIT DATA

DESIGN UNIT WEIGHT ( $\gamma_t$ ) = (1,068 lbs + 493 lbs) / 12 cft = 130 pcf  
 VOLUME ( $V_t$ ) = 7.52 cft + 4.48 cft = 12.00 cft  
 TOTAL UNIT WEIGHT ( $W_t$ ) = 1,561 lbs  
 CENTER OF GRAVITY ( $COG_t$ ) = 18.16" (SEE NOTES)



DRAWN BY  
DAN BALLING

DATE  
11/25/2013

TITLE:

HALF BLOCK

16500 SOUTH 500 WEST  
BLUFFDALE, UTAH 84065  
PHONE: (801) 571-2028

DWG NO.

BD-03

SCALE: 1: 15

SHEET 1 OF 1