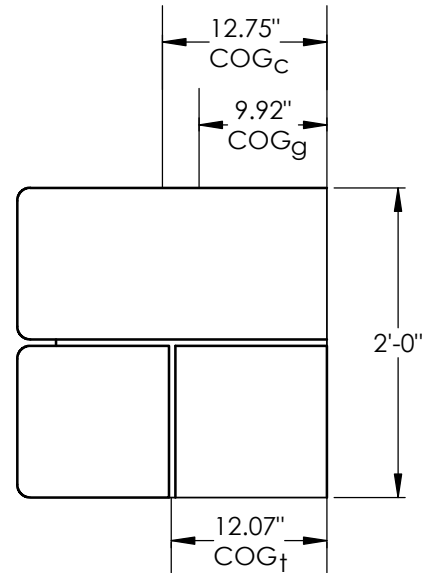
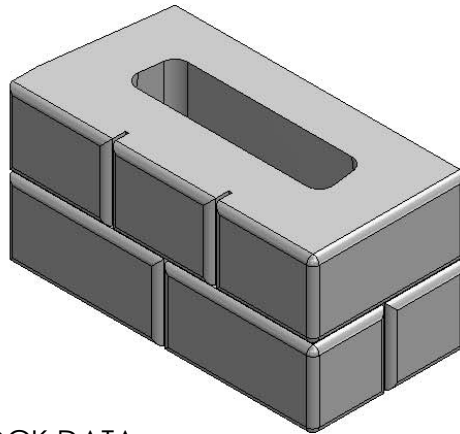
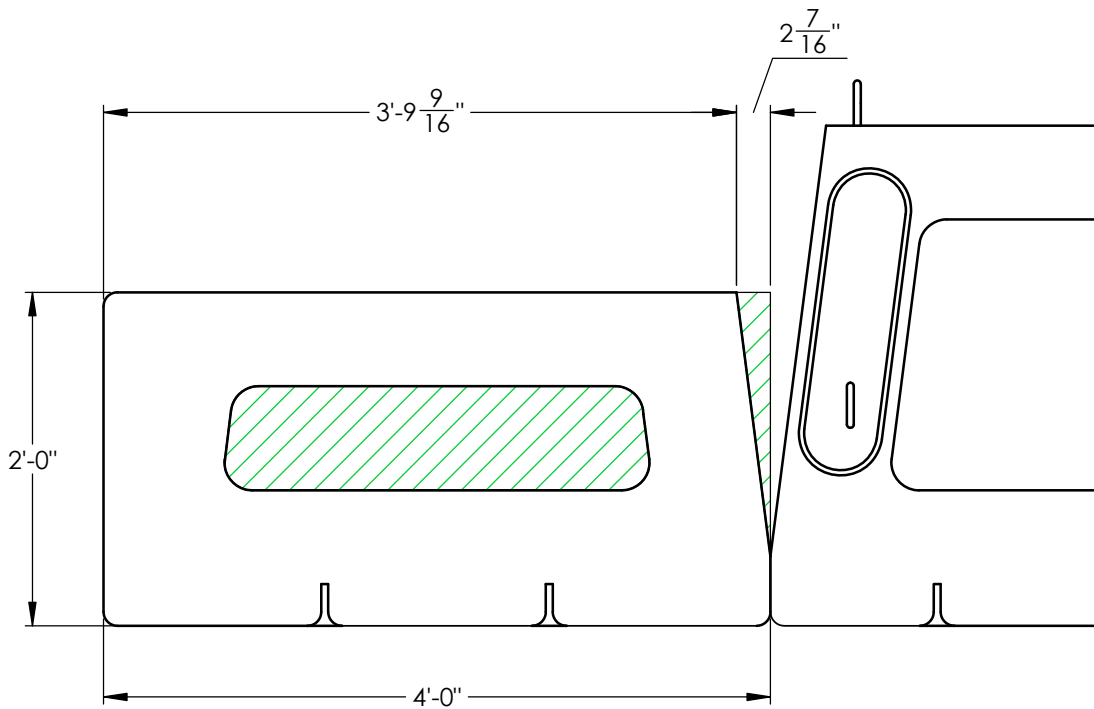


# 24" CORNER BLOCK & GRAVEL INFILL



## CONCRETE BLOCK DATA

DESIGN UNIT WEIGHT ( $\gamma_c$ ) = 142 pcf  
 VOLUME ( $V_c$ ) = 11.23 cft  
 BLOCK WEIGHT ( $W_c$ ) = 1,595 lbs  
 CENTER OF GRAVITY ( $COG_c$ ) = 12.75" (SEE NOTES)

## GRAVEL INFILL DATA

DESIGN UNIT WEIGHT ( $\gamma_g$ ) = 110 pcf  
 VOLUME ( $V_g$ ) = 4.77 cft  
 GRAVEL INFILL WEIGHT ( $W_g$ ) = 508 lbs  
 CENTER OF GRAVITY ( $COG_g$ ) = 9.92" (SEE NOTES)

## NOTES:

- VOLUME, WEIGHT AND COG CALCULATIONS WERE DONE USING CAD SOFTWARE.
- COG MEASUREMENTS ARE FROM BACK OF BLOCK

## COMBINED UNIT DATA

DESIGN UNIT WEIGHT ( $\gamma_t$ ) = (1,595 lbs + 508 lbs) / 16 cft = 131 pcf  
 VOLUME ( $V_t$ ) = 11.23 cft + 4.77 cft = 16.00 cft  
 TOTAL UNIT WEIGHT ( $W_t$ ) = 2,103 lbs  
 CENTER OF GRAVITY ( $COG_t$ ) = 12.07" (SEE NOTES)



DRAWN BY	DATE	TITLE:
DAN BALLING	11/25/2013	CORNER BLOCK
16500 SOUTH 500 WEST BLUFFDALE, UTAH 84065 PHONE: (801) 571-2028		DWG NO.
		BD-04
SCALE: 1: 15		SHEET 1 OF 1